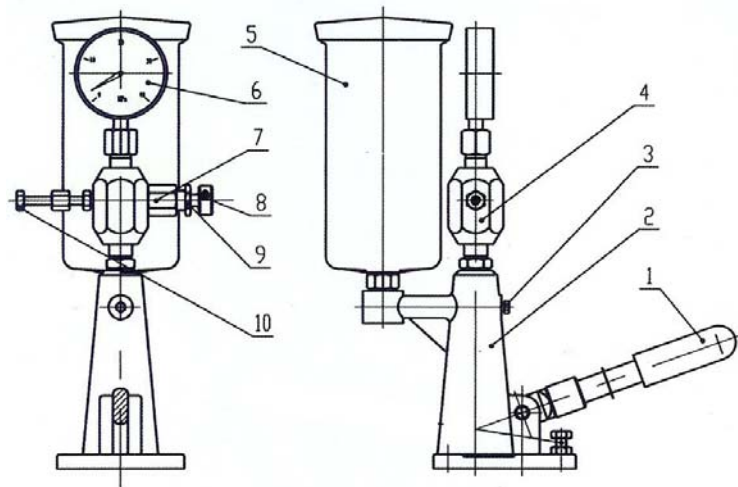


Hiflo Injector Tester

Part # - T-HF-211

**COMPONENTS**

- | | | | |
|----------------------|----------------------------------|------------------|-------------------------|
| 1. HANDLE | 2. PUMP HOUSING | 3. BLEED SCREW | 4. MAIN PUMP BODY |
| 5. RESERVOIR | 6. GAUGE | 7. ISOLATOR BODY | 8. GAUGE ISOLATOR SCREW |
| 9. ISOLATOR LOCK NUT | 10. HIGH PRESSURE LINE CONNECTOR | | |

USE

This fuel injector tester is a special instrument for the performance testing of diesel fuel injector assemblies and diesel injector nozzles. It is suitable for the following performance tests:

- Injector opening pressure
- Body to nut and back leakage
- Spray pattern
- Nozzle leaking
- Pintle needle sticking in the nozzle body

MAIN TECHNICAL DATA

- | | |
|-----------------------|-----------------------|
| • Max pressure | 40 or 60Mpa |
| • Volume of reservoir | 1.5L |
| • Dimensions | 450x300x200mm |
| • Weight | 5kg |
| • Fuel Line Sizes | 12 & 14mm pipe thread |